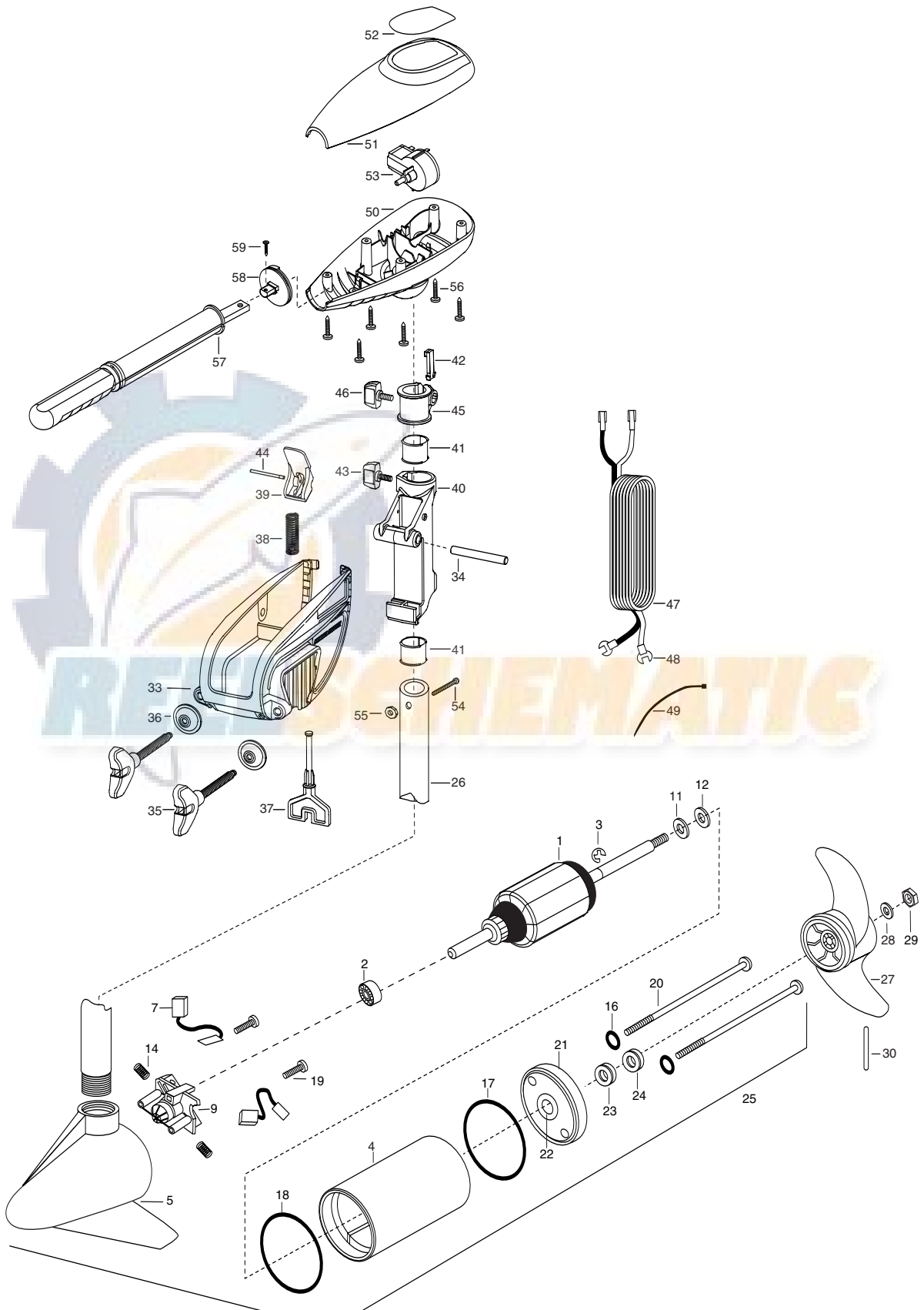


**ENDURA PRO 32**  
**32 LBS THRUST**  
**12 VOLT 32 AMPS**  
**30" SHAFT**

for use with "AG" serial numbers  
3-year warranty from the date of purchase



1	2-100-277	ARMATURE ASSEMBLY 12V 3.25				42	2062800	TENSION BLOCK-SNAP IN
2	140-010	BALL BEARING	22	144-049	BEARING- FLANGE	43	2011385	SCREW, TENSION/KNOB
3	788-015	RETAINING RING				44	2060515	PIN, TILT LEVER
4	2-200-177	CENTER HOUSING ASSEMBLY 3.25 TXT	23	880-003	**SEAL	45	2061520	COLLAR-DEPTH ENDURA
5	2-300-142	BRUSH END HOUSING ASSEMBLY 3.25 SP CO	24	880-006	**SEAL W/SHIELD	46	2011365	SCREW-COLLAR/NEW KNOB
7	188-052	BRUSH ASSEMBLY	25	2069260	MOTOR ASSEMBLY 12V 3.25 5SPC TXT	47	2020605	LEADWIRE- 14 GA SPADE TERM
9	738-030	BRUSH PLATE W/HOLDER 3.25 ASSEMBLY				48	2020703	TERMINAL-SPADE 14GA. [2.EA]
11	990-067	WASHER- STEEL	26	2032045	TUBE, COMPOSITE 30"	49	2256300	TIE WRAP
12	990-070	WASHER- NYLATRON	27	2061122	PROPELLER- 3.25 DIA HUB	50	2062510	CONTROL BOX ENDURA
14	975-032	SPRING- COMPRESSION	28	2151726	WASHER- 5/16 STD SS	51	2060214	CONTROL BOX COVER BLACK
16	701-007	**O-RING [2.EA]	29	2053101	NUT- NYLOC 5/16 SS	52	2065648	DECAL COVER ENDURA PRO 32
17	701-039	**O-RING MK406460	30	2092600	PIN-DRIVE	53	2064023	SWITCH-FWD/REV 5 SP
18	701-041	**O-RING	31	2771818	BRACKET & HINGE ASSY (INCLUDES- 33—45)	54	2033401	SCREW-10-24X1-3/4 PPH Z/P
19	830-001	SCREW- SELF THREAD 8-32X1.7 [2.EA]	32	2771910	BRACKET ASSEMBLY (INCLUDES- 33,35,36)	55	2013110	NUT-10-24 HEX ZCP
20	830-076	THRU BOLT 8-32X8.0 [2.EA]	*33	2061910	BRACKET	56	2012100	SCREW-8-18X5/8 THD CUT [6.EA]
21	423-127	HOUSING- PLAIN END PLAST ASSEMBLY	34	2060510	PIN-HINGE	57	2990901	HANDLE ASSEMBLY 5 SPEED
			35	2881300	SCREW CLAMP, WASHER, RETAINER KIT [2.EA]	58	2060405	PIVOT, HANDLE
			*36	2061300	SCREW-CLAMP [2.EA]	59	2012102	SCREW
				2011710	WASHER-CLAMP SCREW [2.EA]			
			37	2063605	T-BAR, PLASTIC			
			38	2062706	SPRING- (T-BAR)			
			39	2067201	LEVER-TILT BLACK			
			40	2061810	HINGE-PLASTIC			
			41	2037301	BUSHING-HINGE [2.EA]			

\*\* Seal & Oring Kit P/N 2883460 \* This item is part of an assembly. This item cannot be sold separately due to machining and /or assembly that is required.

P/N 2064933 REV.C 5-04

